



Art.-Nr: AGDC408SC-E

Exit sign

Rope ceiling structure, SelfControl (SC), 8 h, 50m, IP40, Zinc die-cast, Stainless steel

Modern zinc die-cast emergency exit sign luminaire with wire suspension for surface mounting on the ceiling. Escape and emergency routes can be identified on either one or two sides.

It is part of the A series luminaire family, which provides solutions for any mounting and has won the German Design Award for its uniform, straight-line design.

Automatic monitoring of safety luminaire with SelfControl. Two requested pictograms (arrow to the right, left, up, down or white) are supplied as standard.



More information

www.rp-group.com/en/item/AGDC408SC-E



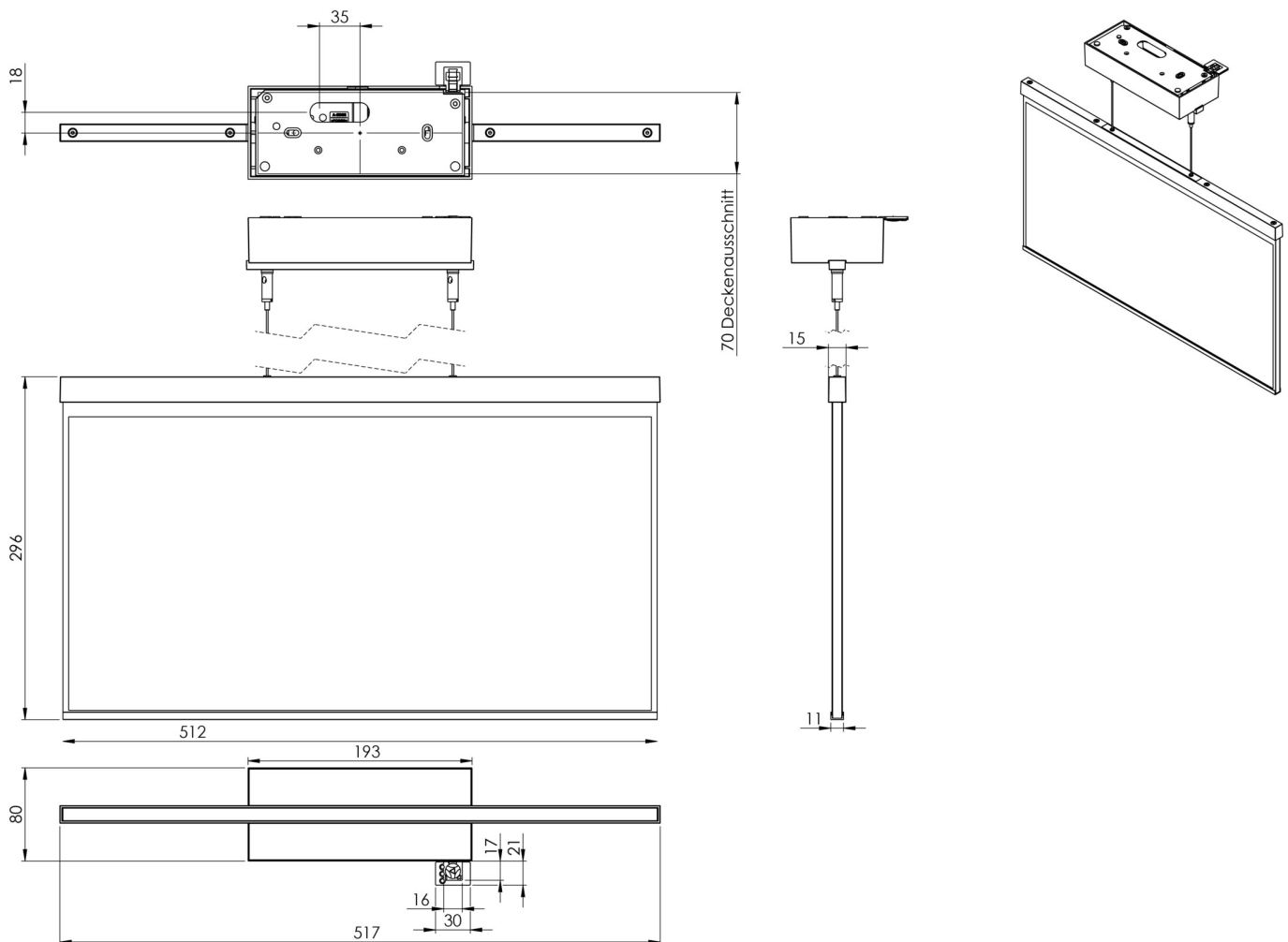
TECHNICAL DATA

Luminaire type	Exit sign
Mounting	Rope ceiling structure
Recognition distance	50m
Pictograph	acc. to Specification
Illuminant	LED
Housing material	Zinc die-cast
Housing color	Stainless steel
Protection type (IP)	IP40
Impact resistance (IK)	≥ 3
Certification	WEEE, CE
Insulation class	2
Monitoring	SelfControl (SC)
Bridging time	8 h
Battery	LiFePO4 6,4 V/1,2 Ah
Power max.	2,6 W
Power DS	1,7 W
Power BS	0,9 W
Ambient temperature DS	-5 °C - 40 °C
Ambient temperature BS	-5 °C - 40 °C
Depth	80 mm



Width	512 mm
Height	338 mm
Weight	2.75
Weight incl. packaging	3.4
EAN	4262483021217

TECHNICAL DRAWING



As of: 31.10.2024 - Subject to technical changes and errors.