



**Art.-Nr: AGDC403SC**

**Exit sign**

**Ceiling, SelfControl (SC), 3 h, 50m, IP40, Zinc die-cast, white**

Modern zinc die-cast emergency exit sign luminaire with wire suspension for surface mounting on the ceiling. Escape and emergency routes can be identified on either one or two sides.

It is part of the A series luminaire family, which provides solutions for any mounting and has won the German Design Award for its uniform, straight-line design.

Automatic monitoring of safety luminaire with SelfControl. Two requested pictograms (arrow to the right, left, up, down or white) are supplied as standard.



More information

[www.rp-group.com/en/item/AGDC403SC](http://www.rp-group.com/en/item/AGDC403SC)



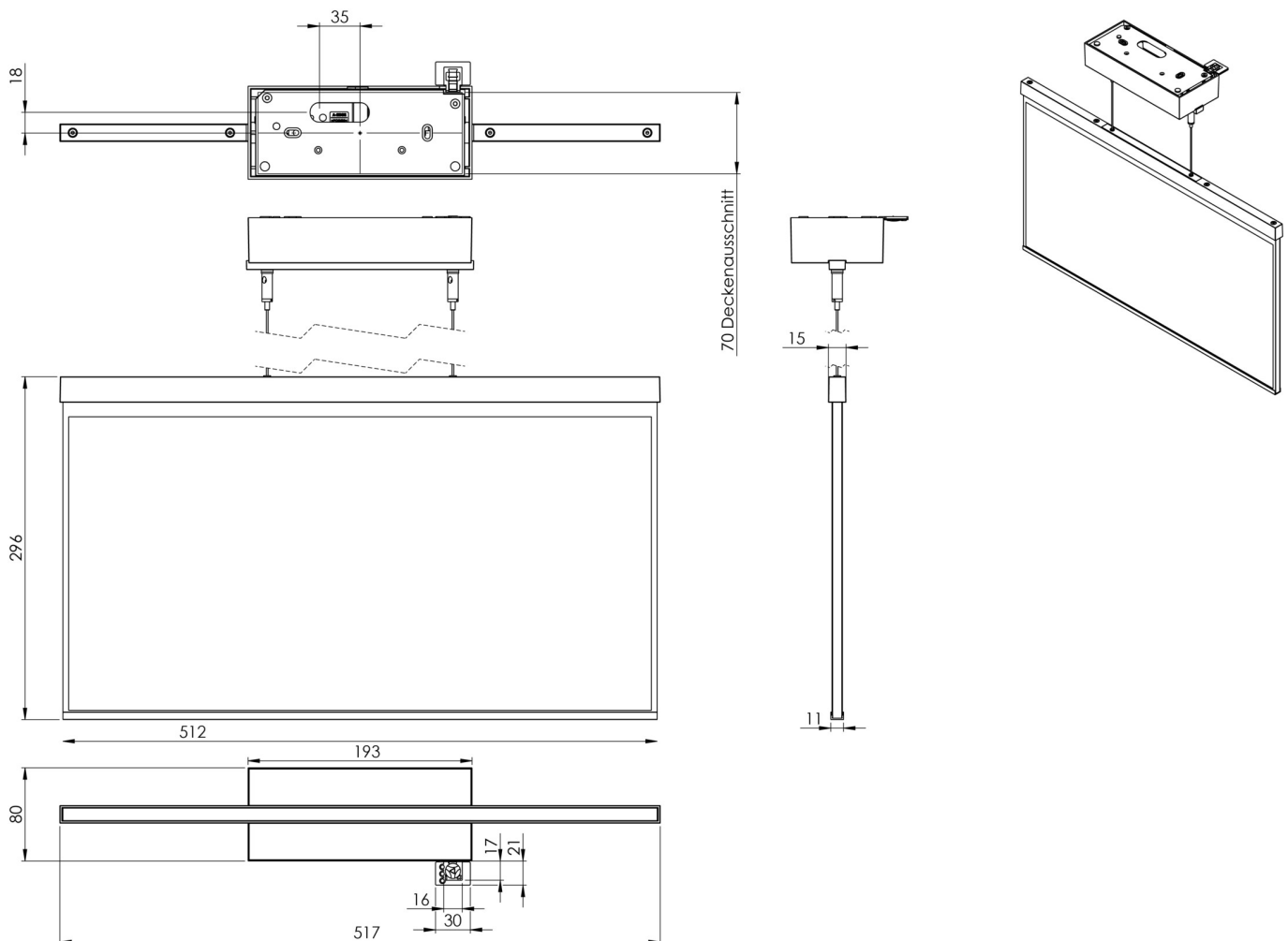
**TECHNICAL DATA**

Luminaire type	Exit sign
Mounting	Ceiling
Recognition distance	50m
Pictograph	acc. to Specification
Illuminant	LED
Housing material	Zinc die-cast
Housing color	white
Protection type (IP)	IP40
Impact resistance (IK)	≥ 3
Certification	WEEE, CE
Insulation class	2
Monitoring	SelfControl (SC)
Bridging time	3 h
Battery	6,4 V 1,2 Ah/
Power max.	4,2 W
Power DS	3,2 W
Power BS	0,9 W
Ambient temperature DS	-5 °C - 40 °C
Ambient temperature BS	-5 °C - 40 °C



Depth	80 mm
Width	512 mm
Height	338 mm
Weight	2.75
Weight incl. packaging	3.4
Customs tariff number	94056180
EAN	4260766554063

## TECHNICAL DRAWING



As of: 23.08.2024 - Subject to technical changes and errors.