



**Art.-Nr: AGDC403SC-E**

**Exit sign**

**Ceiling, SelfControl (SC), 3 h, 50m, IP40, Zinc die-cast, Stainless steel**

Modern zinc die-cast emergency exit sign luminaire with wire suspension for surface mounting on the ceiling. Escape and emergency routes can be identified on either one or two sides.

It is part of the A series luminaire family, which provides solutions for any mounting and has won the German Design Award for its uniform, straight-line design.

Automatic monitoring of safety luminaire with SelfControl. Two requested pictograms (arrow to the right, left, up, down or white) are supplied as standard.



More information

[www.rp-group.com/en/item/AGDC403SC-E](http://www.rp-group.com/en/item/AGDC403SC-E)



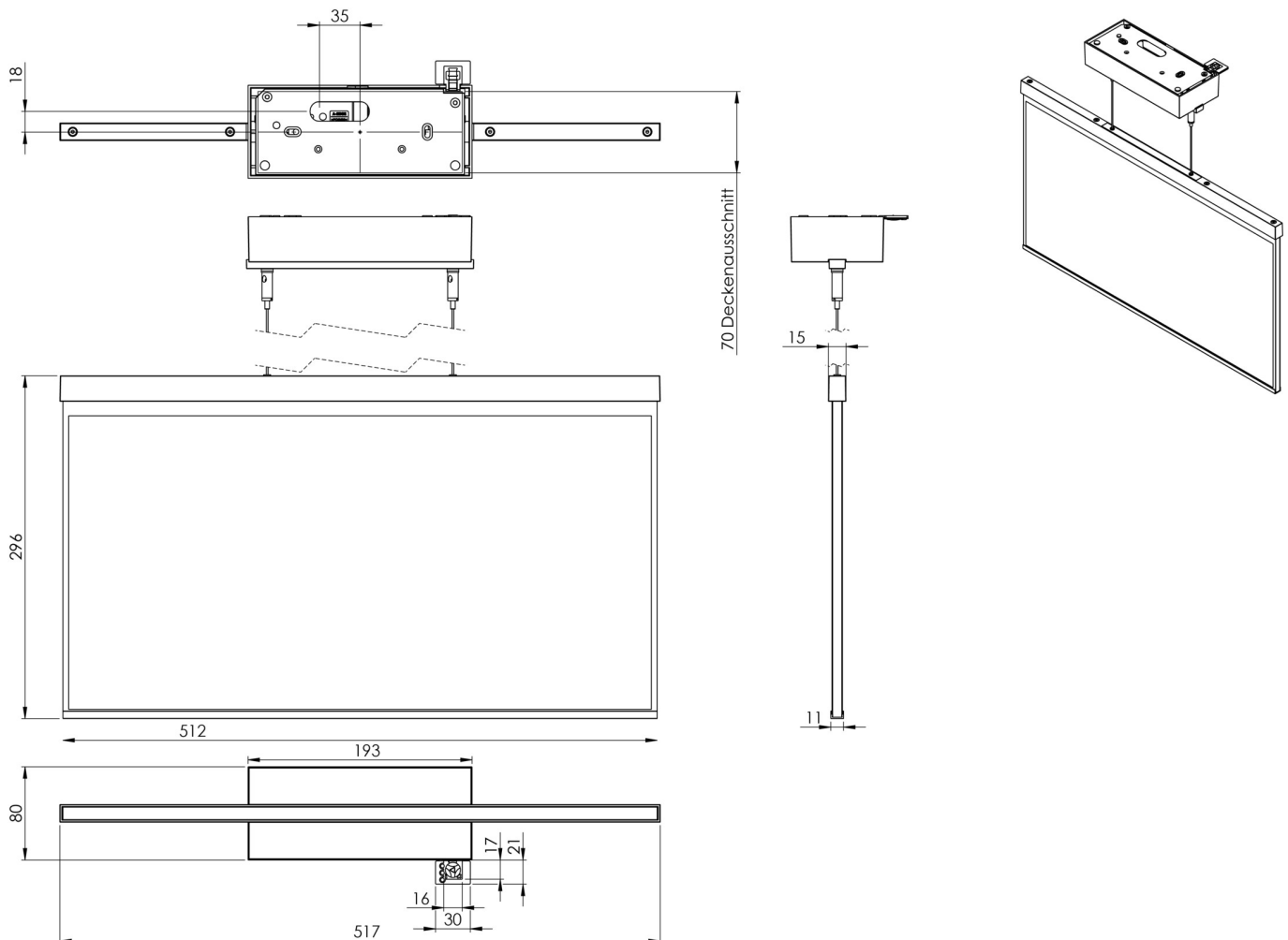
**TECHNICAL DATA**

|                        |                       |
|------------------------|-----------------------|
| Luminaire type         | Exit sign             |
| Mounting               | Ceiling               |
| Recognition distance   | 50m                   |
| Pictograph             | acc. to Specification |
| Illuminant             | LED                   |
| Housing material       | Zinc die-cast         |
| Housing color          | Stainless steel       |
| Protection type (IP)   | IP40                  |
| Impact resistance (IK) | ≥ 3                   |
| Certification          | WEEE, CE              |
| Insulation class       | 2                     |
| Monitoring             | SelfControl (SC)      |
| Bridging time          | 3 h                   |
| Battery                | LiFePO4 6,4 V/1,2 Ah  |
| Power max.             | 4,2 W                 |
| Power DS               | 3,2 W                 |
| Power BS               | 0,9 W                 |
| Ambient temperature DS | -5 °C - 40 °C         |



|                        |               |
|------------------------|---------------|
| Ambient temperature BS | -5 °C - 40 °C |
| Depth                  | 80 mm         |
| Width                  | 512 mm        |
| Height                 | 338 mm        |
| Weight                 | 2.75          |
| Weight incl. packaging | 3.4           |
| Customs tariff number  | 94056180      |
| EAN                    | 4260766554087 |

## TECHNICAL DRAWING



As of: 02.10.2024 - Subject to technical changes and errors.