



Art.-Nr: AGD403SC-E

Exit sign

Ceiling, SelfControl (SC), 3 h, 50m, IP40, Zinc die-cast, Stainless steel

Modern zinc die-cast emergency exit sign luminaire for surface mounting on the ceiling. Escape and emergency routes can be identified on either one or two sides.

It is part of the A series luminaire family, which provides solutions for any mounting and has won the German Design Award for its uniform, straight-line design.

Automatic monitoring of safety luminaire with SelfControl. Two requested pictograms (arrow to the right, left, up, down or white) are supplied as standard.



More information

www.rp-group.com/en/item/AGD403SC-E



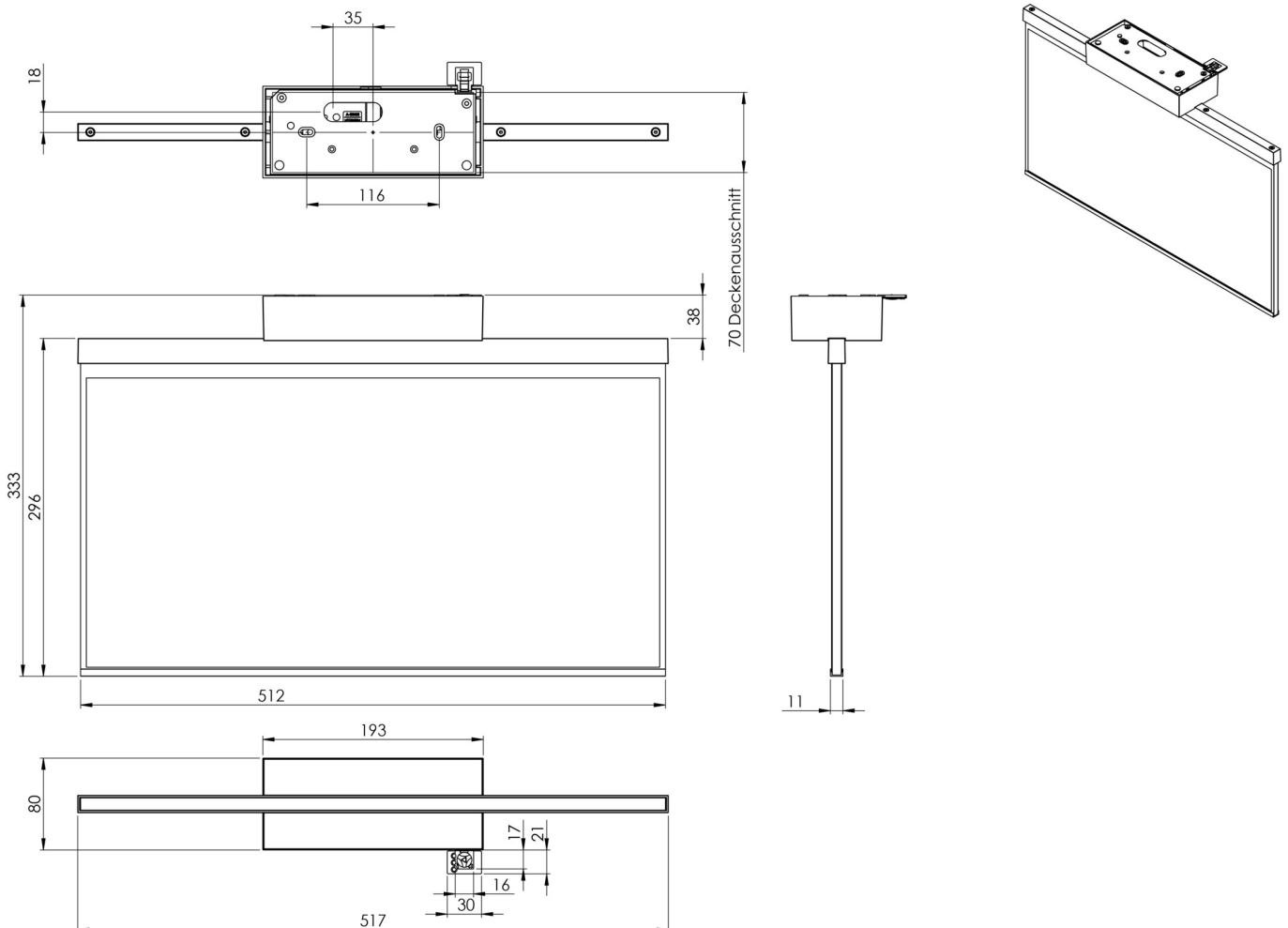
TECHNICAL DATA

| | |
|------------------------|-----------------------|
| Luminaire type | Exit sign |
| Mounting | Ceiling |
| Recognition distance | 50m |
| Pictograph | acc. to Specification |
| Illuminant | LED |
| Housing material | Zinc die-cast |
| Housing color | Stainless steel |
| Protection type (IP) | IP40 |
| Impact resistance (IK) | ≥ 3 |
| Certification | WEEE, CE |
| Insulation class | 2 |
| Monitoring | SelfControl (SC) |
| Bridging time | 3 h |
| Battery | LiFePO4 6,4 V/1,2 Ah |
| Power max. | 4,2 W |
| Power DS | 3,2 W |
| Power BS | 0,9 W |
| Ambient temperature DS | -5 °C - 40 °C |



| | |
|------------------------|---------------|
| Ambient temperature BS | -5 °C - 40 °C |
| Depth | 80 mm |
| Width | 517 mm |
| Height | 330 mm |
| Weight | 2.75 |
| Weight incl. packaging | 3.4 |
| Customs tariff number | 94056180 |
| EAN | 4260766554025 |

TECHNICAL DRAWING



As of: 02.10.2024 - Subject to technical changes and errors.