



Art.-Nr: AGD401SC-AZ

Exit sign

Ceiling, SelfControl (SC), 1 h, 50m, IP40, Zinc die-cast, Anthracite

Modern zinc die-cast emergency exit sign luminaire for surface mounting on the ceiling. Escape and emergency routes can be identified on either one or two sides.

It is part of the A series luminaire family, which provides solutions for any mounting and has won the German Design Award for its uniform, straight-line design.

Automatic monitoring of safety luminaire with SelfControl. Two requested pictograms (arrow to the right, left, up, down or white) are supplied as standard.



More information

www.rp-group.com/en/item/AGD401SC-AZ



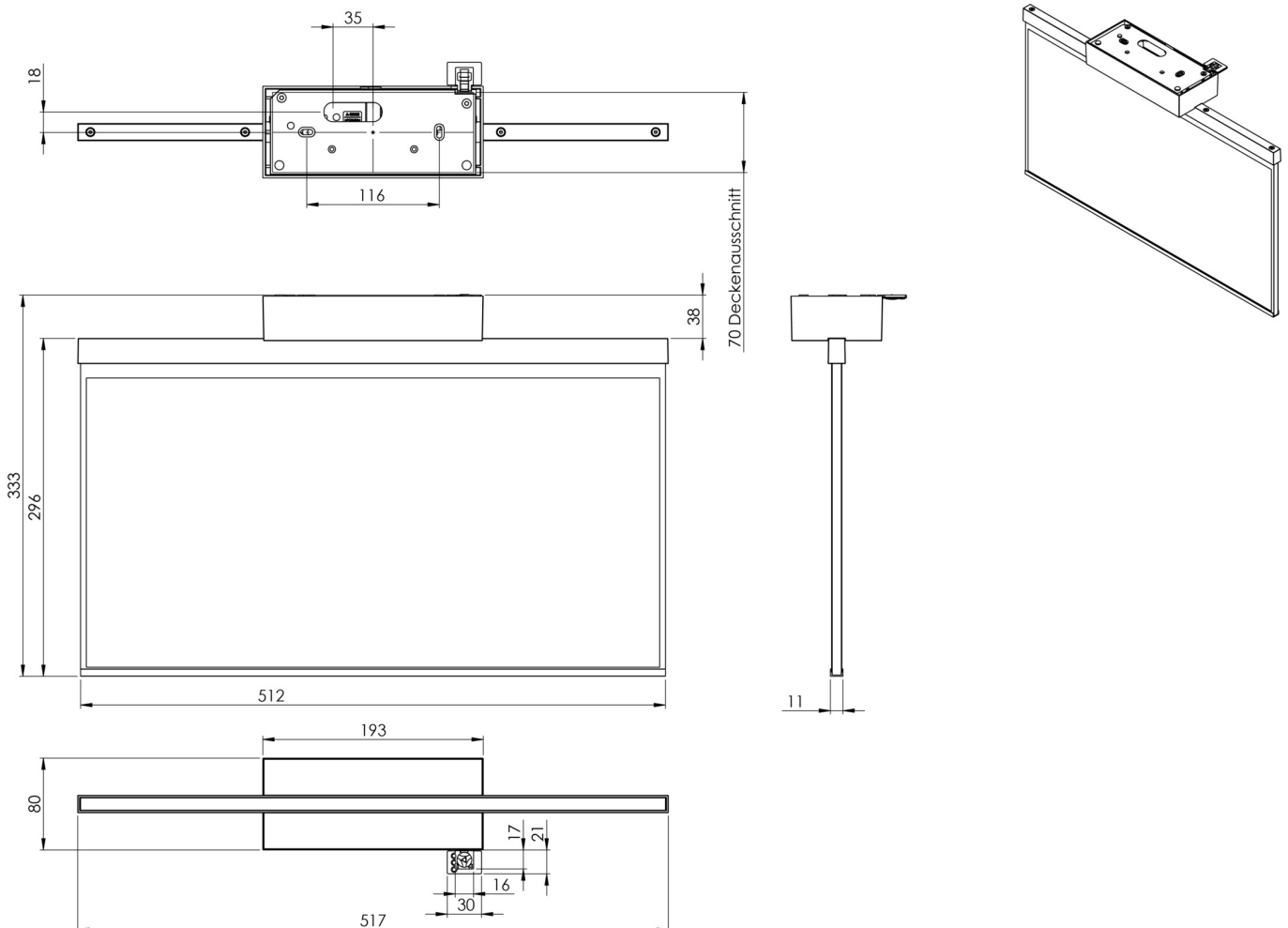
TECHNICAL DATA

Luminaire type	Exit sign
Mounting	Ceiling
Recognition distance	50m
Pictograph	acc. to Specification
Illuminant	LED
Housing material	Zinc die-cast
Housing color	Anthracite
Protection type (IP)	IP40
Impact resistance (IK)	≥ 3
Certification	WEEE, CE
Insulation class	2
Monitoring	SelfControl (SC)
Bridging time	1 h
Battery	6,4 V 1,2 Ah/
Power max.	4,2 W
Power DS	3,2 W
Power BS	0,9 W
Ambient temperature DS	-5 °C - 40 °C



Ambient temperature BS	-5 °C - 40 °C
Depth	80 mm
Width	517 mm
Height	330 mm
Weight	2.75
Weight incl. packaging	3.4
Customs tariff number	94056180
EAN	4260766553981

TECHNICAL DRAWING



As of: 23.08.2024 - Subject to technical changes and errors.