



Art.-Nr: AGC408SC-AZ

Exit sign

Ceiling mounting, SelfControl (SC), 8 h, 50m, IP20, Zinc die-cast, Anthracite

Modern zinc die-cast emergency exit sign luminaire for recessed mounting in the ceiling. Escape and emergency routes can be identified on either one or two sides.

It is part of the A series luminaire family, which provides solutions for any mounting and has won the German Design Award for its uniform, straight-line design.

Automatic monitoring of safety luminaire with SelfControl. Two requested pictograms (arrow to the right, left, up, down or white) are supplied as standard.



More information

www.rp-group.com/en/item/AGC408SC-AZ



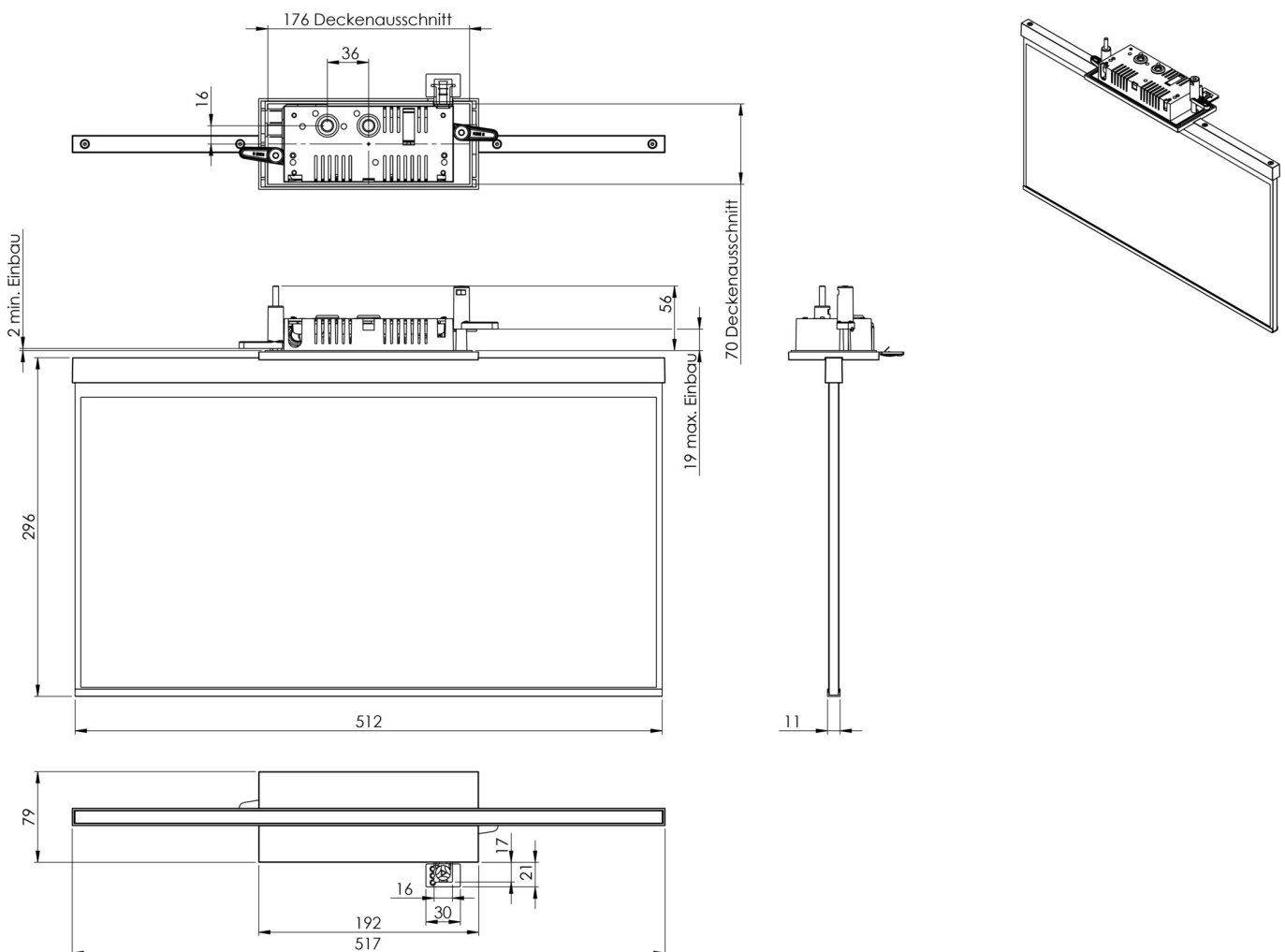
TECHNICAL DATA

Luminaire type	Exit sign
Mounting	Ceiling mounting
Recognition distance	50m
Pictograph	acc. to Specification
Illuminant	LED
Housing material	Zinc die-cast
Housing color	Anthracite
Protection type (IP)	IP20
Impact resistance (IK)	≥ 3
Certification	WEEE, CE
Insulation class	2
Monitoring	SelfControl (SC)
Bridging time	8 h
Battery	LiFePO4 6,4 V/1,2 Ah
Power max.	2,6 W
Power DS	1,7 W
Power BS	0,9 W
Ambient temperature DS	-5 °C - 40 °C



Ambient temperature BS	-5 °C - 40 °C
Depth	79 mm
Width	512 mm
Height	301 mm
Installation length	176 mm
Installation width	68 mm
Installation height	40 mm
Weight	2.55
Weight incl. packaging	3.2
EAN	4262483021118

TECHNICAL DRAWING



As of: 31.10.2024 - Subject to technical changes and errors.