

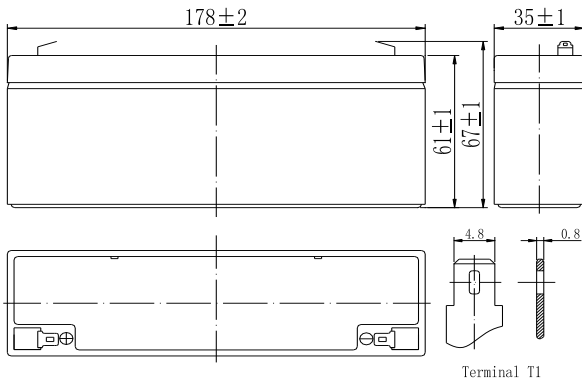
RPower VDS12-2,3 (12V 2.3Ah AGM Battery)

VdS No. G117042

EAN: 4260349822619

Floating Life at 20°C designed for up to 6 years

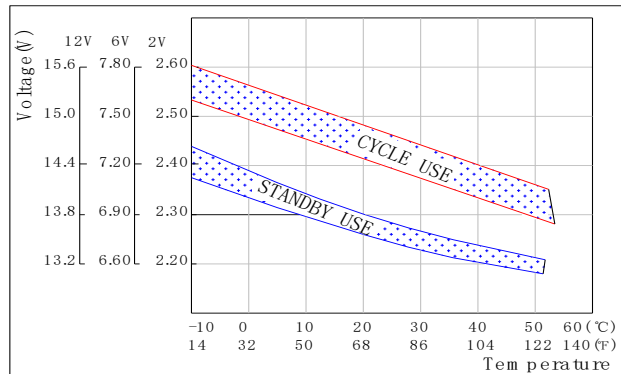
Dimensions



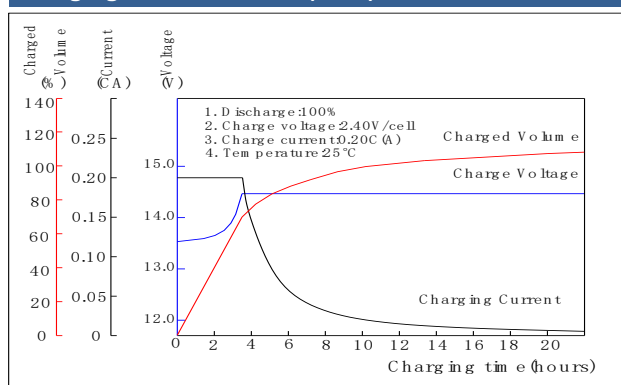
Specifications

| | | |
|---|-------------------------|-------------------------|
| Nominal Voltage | 12V | |
| Capacity (20hr@25°C) | 2.3Ah | |
| Dimensions (±2mm) | Length | 178mm (7.01inch) |
| | Width | 35mm (1.38inch) |
| | Height | 61mm (2.40inch) |
| | Total Height | 67mm (2.64inch) |
| Approx. Weight | 0.99kg (2.18lbs) | |
| Maximum charging current | 0.69A | |
| Maximum discharge current | 34.5A (5sec.) | |
| Internal resistance | Approx. 60mΩ | |
| Capacity affected by temperature (20hr) | 40°C | 102% |
| | 25°C | 100% |
| | 0°C | 85% |
| | -15°C | 65% |
| Self-discharge (25°C) | 3 month | Remaining Capacity: 91% |
| | 6 month | Remaining Capacity: 82% |
| | 12 month | Remaining Capacity: 65% |
| Nominal operating temperature | 25°C ±3°C (77°F±5°F) | |
| Operating temperature range | -20°C~50°C (-4°F~122°F) | |
| Float charging voltage (25°C) | 13.65 to 13.80V | |
| Cyclic charging voltage (25°C) | 14.40 to 15.00V | |
| Terminal material | Copper | |

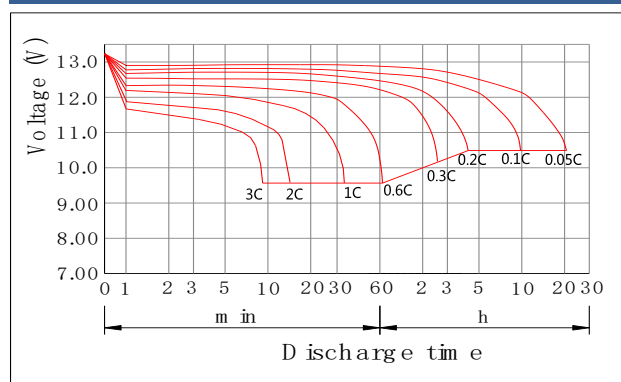
The Relationship for Charging Voltage and Temperature



Charging Characteristics (25°C)



Discharge Characteristics (25°C)



Constant Current Discharge Characteristics (Ampere / Battery, 25°C)

| FV / TIME | 5min | 10min | 15min | 30min | 1h | 3h | 5h | 10h | 20h |
|-----------|------|-------|-------|-------|------|------|------|------|------|
| 10.80V | 8,22 | 5,18 | 4,10 | 2,37 | 1,40 | 0,57 | 0,38 | 0,22 | 0,11 |
| 10.20V | 8,74 | 5,51 | 4,32 | 2,50 | 1,48 | 0,58 | 0,39 | 0,22 | 0,11 |
| 9.60V | 9,20 | 5,80 | 4,50 | 2,60 | 1,54 | 0,59 | 0,40 | 0,22 | 0,11 |

Constant Power Discharge Characteristics (Watt / Battery, 25°C)

| FV / TIME | 5min | 10min | 15min | 30min | 1h | 3h | 5h | 10h | 20h |
|-----------|--------|-------|-------|-------|-------|------|------|------|------|
| 10.80V | 91,70 | 58,40 | 46,80 | 27,20 | 16,30 | 6,75 | 4,56 | 2,64 | 1,32 |
| 10.20V | 97,50 | 62,20 | 49,20 | 28,60 | 17,10 | 6,89 | 4,66 | 2,66 | 1,33 |
| 9.60V | 103,00 | 65,40 | 51,30 | 29,80 | 17,80 | 6,99 | 4,73 | 2,67 | 1,34 |