

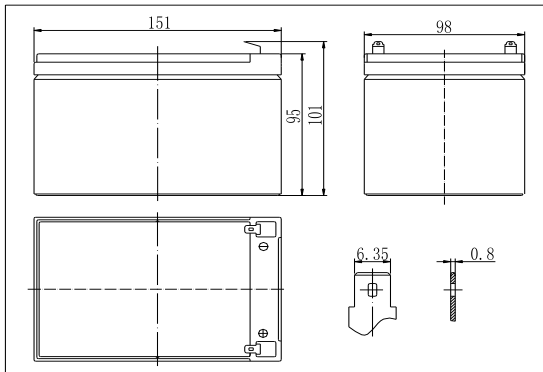
RPower VDS12-12,0L (12V 12Ah AGM Battery)

VdS No. G117044

EAN: 4260349822633

Floating Life at 20°C designed for up to 6 years

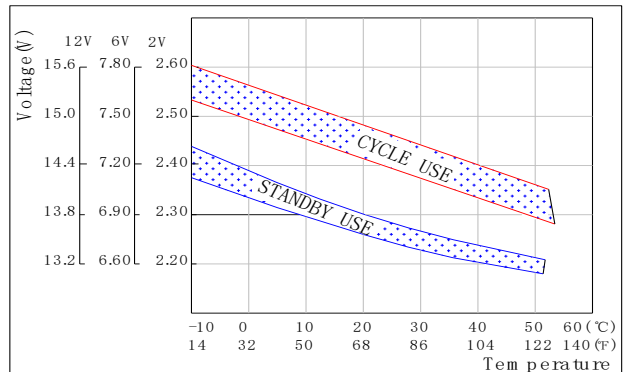
Dimensions



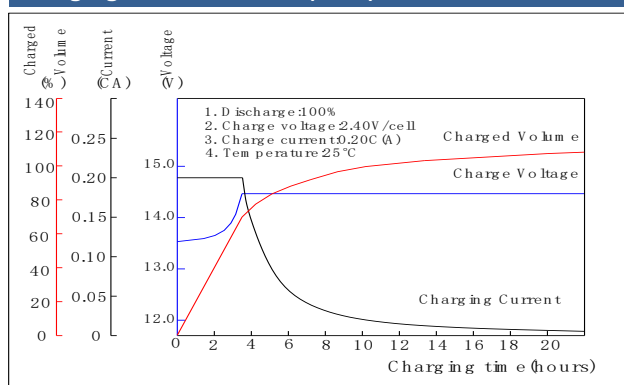
Specifications

Nominal Voltage		12V
Capacity (20hr@25°C)		12Ah
Dimensions (±2mm)	Length	151mm (5.94inch)
	Width	98mm (3.86inch)
	Height	95mm (3.74inch)
	Total Height	101mm (3.98inch)
Approx. Weight		3.65kg (8.05lbs)
Maximum charging current		3.60A
Maximum discharge current		180A (5sec.)
Internal resistance		Approx. 19mΩ
Capacity affected by temperature (20hr)	40°C	102%
	25°C	100%
	0°C	85%
	-15°C	65%
Self-discharge (25°C)	3 month	Remaining Capacity: 91%
	6 month	Remaining Capacity: 82%
	12 month	Remaining Capacity: 65%
Nominal operating temperature		25°C ±3°C (77°F±5°F)
Operating temperature range		-20°C~50°C (-4°F~122°F)
Float charging voltage (25°C)		13.65 to 13.80V
Cyclic charging voltage (25°C)		14.40 to 15.00V
Terminal material		Copper

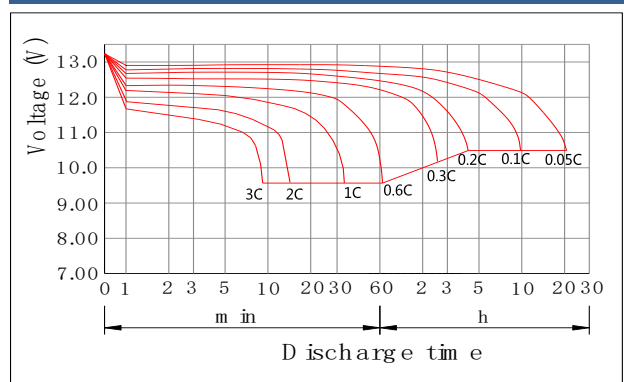
The Relationship for Charging Voltage and Temperature



Charging Characteristics (25°C)



Discharge Characteristics (25°C)



Constant Current Discharge Characteristics (Ampere / Battery, 25°C)

FV / TIME	5min	10min	15min	30min	1h	3h	5h	10h	20h
10.80V	42,40	28,10	22,70	12,50	7,41	3,11	2,08	1,15	0,60
10.20V	45,10	29,90	23,90	13,20	7,80	3,18	2,13	1,16	0,61
9.60V	47,50	31,40	24,90	13,80	8,13	3,22	2,16	1,17	0,62

Constant Power Discharge Characteristics (Watt / Battery, 25°C)

FV / TIME	5min	10min	15min	30min	1h	3h	5h	10h	20h
10.80V	473,00	317,00	259,00	144,00	85,80	37,00	24,90	13,90	7,50
10.20V	504,00	337,00	272,00	151,00	90,30	37,70	25,40	13,90	7,55
9.60V	530,00	355,00	284,00	158,00	94,10	38,30	25,80	14,00	7,61