

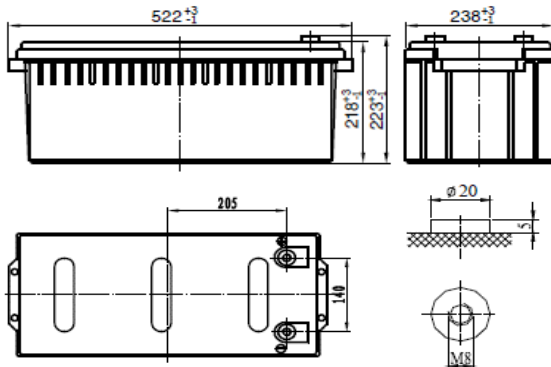
RPower OGiV126000HP (12V 220Ah AGM High-Power-Battery)

with UL94 V-0 Housing

EAN: 4260349823722

Floating Life at 20°C designed for up to 12 years

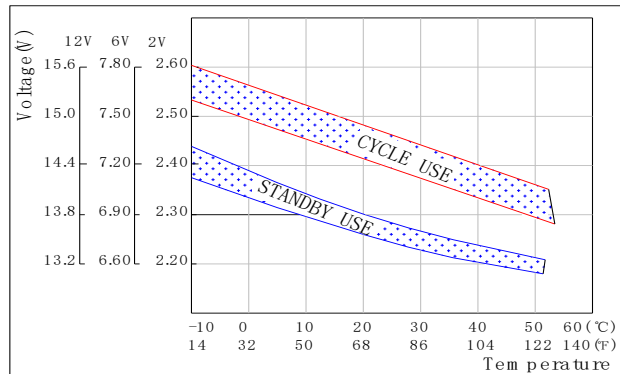
Dimensions



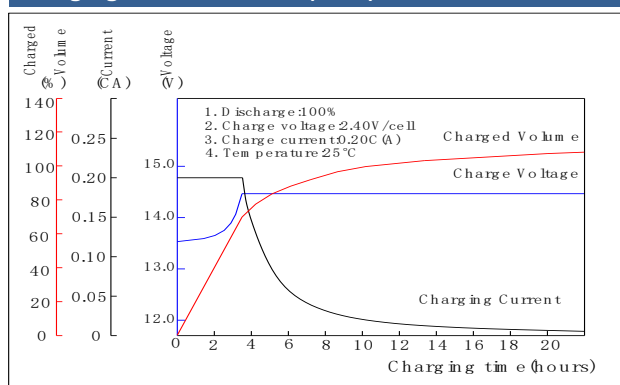
Specifications

Nominal Voltage		12V
Capacity (10hr@25°C@1.80V/C)		220Ah
Dimensions	Length	522mm (20.6inch)
	Width	238mm (9.37inch)
	Height	218mm (8.58inch)
	Total Height	223mm (8.78inch)
Approx. Weight		67.00kg (147.7lbs)
Maximum charging current		69A
Maximum discharge current		1.350A (5sec.)
Internal resistance		Approx. 2.2mΩ
Capacity affected by temperature (20hr)	40°C	103%
	25°C	100%
	0°C	86%
	-15°C	65%
Self-discharge (25°C)	3 month	Remaining Capacity: 91%
	6 month	Remaining Capacity: 82%
	12 month	Remaining Capacity: 65%
Nominal operating temperature		25°C ±3°C (77°F±5°F)
Operating temperature range		-20°C~55°C (-4°F~131°F)
Float charging voltage (25°C)		13.65 to 13.80V
Cyclic charging voltage (25°C)		14.40 to 15.00V
Terminal material		Copper

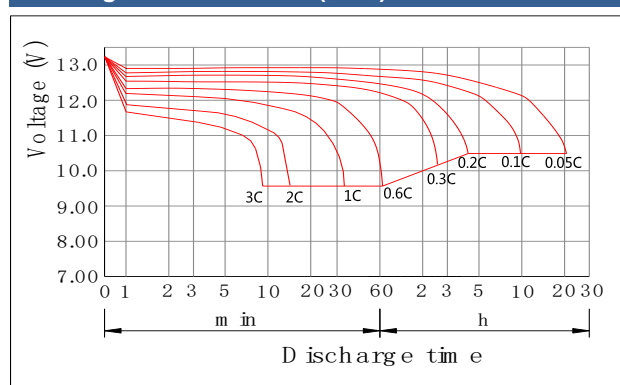
The Relationship for Charging Voltage and Temperature



Charging Characteristics (25°C)



Discharge Characteristics (25°C)



Constant Current Discharge Characteristics (Ampere / Battery, 25°C)

FV / TIME	5min	10min	15min	20min	30min	45min	1h	2h	3h	4h	5h	6h	8h	10h	20h
10.98V	555,63	448,18	368,81	295,24	234,26	170,37	133,58	77,75	59,18	46,75	39,18	33,96	27,24	21,18	10,98
10.80V	574,00	463,00	381,00	305,00	242,00	176,00	138,00	80,45	61,27	48,44	40,57	35,13	28,29	22,01	11,50
10.50V	608,00	488,00	390,00	321,00	254,00	185,00	144,00	84,09	64,08	50,69	42,48	36,86	29,66	23,10	12,13
10.20V	643,00	514,00	409,00	338,00	266,00	194,00	151,00	88,34	67,35	53,30	44,70	38,81	31,26	24,36	12,76
10.02V	677,00	539,00	428,00	354,00	277,00	202,00	157,00	92,00	70,18	55,58	46,63	40,51	32,65	25,47	13,36
9.60V	712,00	565,00	447,00	370,00	288,00	211,00	163,00	95,68	73,02	57,87	48,57	42,22	34,07	26,60	14,02

Constant Power Discharge Characteristics (Watt / Battery, 25°C)

FV / TIME	5min	10min	15min	20min	30min	45min	1h	2h	3h	4h	5h	6h	8h	10h	20h
10.98V	5952,00	4818,00	3948,00	3192,00	2610,00	1944,00	1506,00	846,37	632,31	512,04	438,25	378,01	296,68	240,21	122,83
10.80V	6150,00	4980,00	4080,00	3300,00	2700,00	2010,00	1560,00	878,28	656,76	531,96	455,52	393,12	308,58	250,25	128,54
10.50V	6504,00	5250,00	4512,00	3450,00	2790,00	2070,00	1608,00	906,91	680,18	549,94	471,14	406,82	319,99	258,79	133,38
10.20V	6858,00	5520,00	4680,00	3600,00	2880,00	2130,00	1650,00	932,25	699,60	565,95	485,10	418,95	330,00	269,41	138,90
10.02V	7206,00	5790,00	4920,00	3750,00	2964,00	2190,00	1698,00	961,07	721,65	584,11	500,91	432,99	341,30	279,92	144,53
9.60V	7560,00	6060,00	4962,00	3900,00	3054,00	2250,00	1740,00	986,58	741,24	600,30	515,04	445,44	351,48	290,29	149,68