

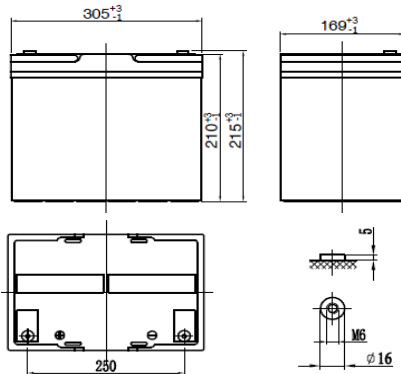
# RPower OGiV123000HP (12V 90Ah AGM High-Power-Battery)

with UL94 V-0 Housing

EAN: 4260349823654

Floating Life at 20°C designed for up to 12 years

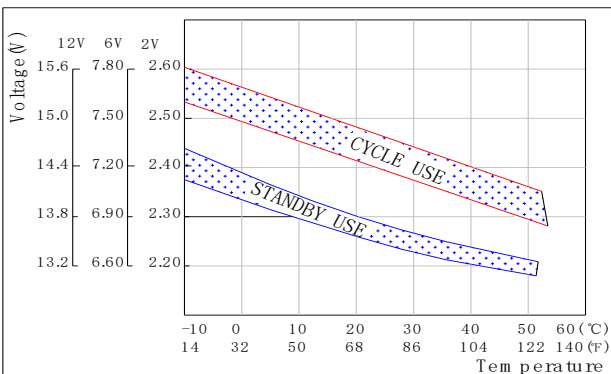
## Dimensions



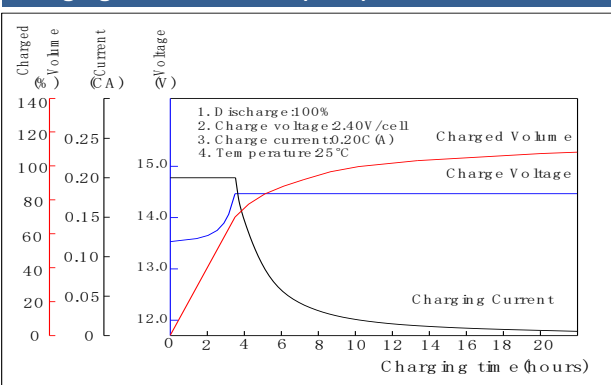
## Specifications

Nominal Voltage		12V
Capacity (10hr@25°C@1.80V/C)		90Ah
Dimensions	Length	306mm 12.0inch
	Width	169mm (6.65inch)
	Height	210mm (8.27inch)
	Total Height	215mm (8.46inch)
Approx. Weight		28.50kg (62.83lbs)
Maximum charging current		27A
Maximum discharge current		800A (5sec.)
Internal resistance		Approx. 4.4mΩ
Capacity affected by temperature (20hr)	40°C	103%
	25°C	100%
	0°C	86%
	-15°C	65%
Self-discharge (25°C)	3 month	Remaining Capacity: 91%
	6 month	Remaining Capacity: 82%
	12 month	Remaining Capacity: 65%
Nominal operating temperature		25°C ±3°C (77°F±5°F)
Operating temperature range		-20°C~55°C (-4°F~131°F)
Float charging voltage (25°C)		13.65 to 13.80V
Cyclic charging voltage (25°C)		14.40 to 15.00V
Terminal material		Copper

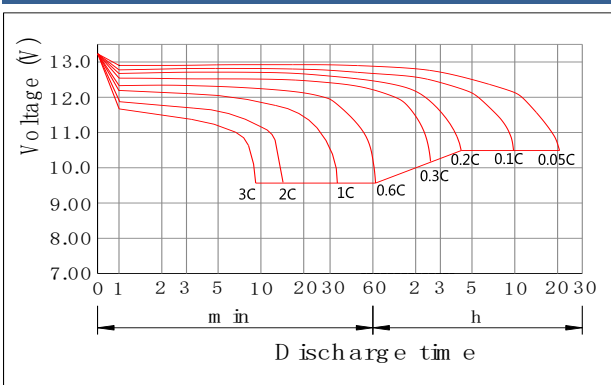
## The Relationship for Charging Voltage and Temperature



## Charging Characteristics (25°C)



## Discharge Characteristics (25°C)



## Constant Current Discharge Characteristics (Ampere / Battery, 25°C)

FV / TIME	5min	10min	15min	20min	30min	45min	1h	2h	3h	4h	5h	6h	8h	10h	20h
10.98V	293,30	217,80	181,98	144,23	112,29	76,18	55,76	32,45	24,70	19,51	16,35	14,17	11,37	8,68	4,49
10.80V	303,00	225,00	188,00	149,00	116,00	78,70	57,60	33,58	25,57	20,22	16,93	14,66	11,81	9,02	4,70
10.50V	323,00	235,00	194,00	159,00	119,00	80,00	60,20	35,15	26,79	21,19	17,76	15,41	12,40	9,48	4,97
10.20V	335,00	242,00	200,00	163,00	125,00	82,00	62,00	36,27	27,65	21,89	18,35	15,93	12,83	9,82	5,13
10.02V	355,00	251,00	210,00	170,00	130,00	84,60	64,50	37,80	28,83	22,83	19,16	16,64	13,41	10,27	5,38
9.60V	365,00	280,00	215,00	178,00	141,00	95,00	67,80	39,80	30,37	24,07	20,20	17,56	14,17	10,86	5,71

## Constant Power Discharge Characteristics (Watt / Battery, 25°C)

FV / TIME	5min	10min	15min	20min	30min	45min	1h	2h	3h	4h	5h	6h	8h	10h	20h
10.98V	3136,32	2485,82	1997,95	1666,90	1219,68	877,01	667,92	375,37	280,43	227,09	194,36	167,65	131,58	104,60	53,36
10.80V	3240,00	2568,00	2064,00	1722,00	1260,00	906,00	690,00	388,47	290,49	235,29	201,48	173,88	136,49	108,68	55,69
10.50V	3480,00	2724,00	2148,00	1794,00	1290,00	936,00	714,00	402,70	302,02	244,19	209,20	180,64	142,09	112,82	58,01
10.20V	3666,00	2808,00	2340,00	1818,00	1332,00	972,00	756,00	427,14	320,54	259,31	222,26	191,95	151,20	121,20	62,34
10.02V	3840,00	2838,00	2400,00	1890,00	1386,00	1032,00	780,00	441,48	331,50	268,32	230,10	198,90	156,78	126,25	65,03
9.60V	4110,00	3000,00	2472,00	1992,00	1440,00	1068,00	804,00	455,87	342,50	277,38	237,98	205,82	162,41	131,70	67,75