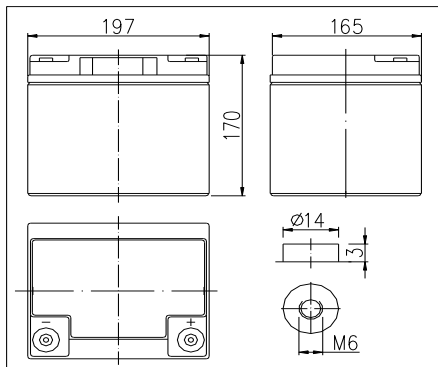


# RPower OGiV12450LP (12V 45Ah AGM Battery)

Floating Life at 20°C designed for up to 12 years

EAN: 4260349823364

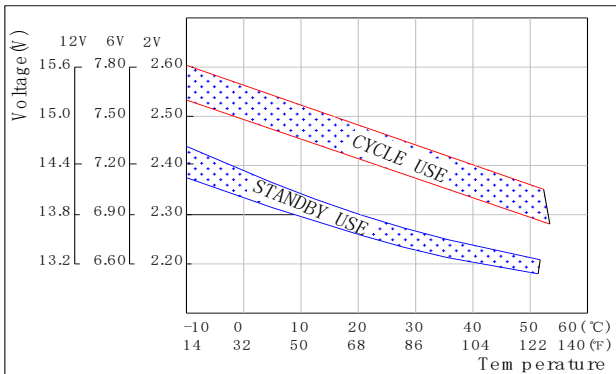
## Dimensions



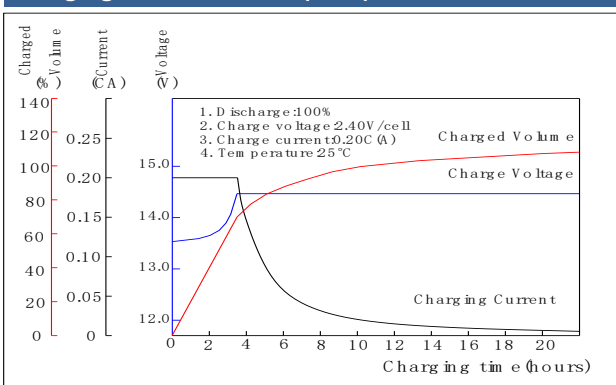
## Specifications

Nominal Voltage		12V
Capacity (10hr@25°C@1.80V/C)		45Ah
Dimensions (±2mm)	Length	197mm (7.76inch)
	Width	165mm (6.50inch)
	Height	170mm (6.69inch)
	Total Height	170mm (6.69inch)
Approx. Weight		14.60kg (32.19lbs)
Maximum charging current		13.5A
Maximum discharge current		450A (5sec.)
Internal resistance		Approx. 7.5mΩ
Capacity affected by temperature (20hr)	40°C	103%
	25°C	100%
	0°C	86%
	-15°C	65%
Self-discharge (25°C)	3 month	Remaining Capacity: 91%
	6 month	Remaining Capacity: 82%
	12 month	Remaining Capacity: 65%
Nominal operating temperature		25°C ±3°C (77°F±5°F)
Operating temperature range		-20°C~55°C (-4°F~131°F)
Float charging voltage (25°C)		13.65 to 13.80V
Cyclic charging voltage (25°C)		14.40 to 15.00V
Terminal material		Copper

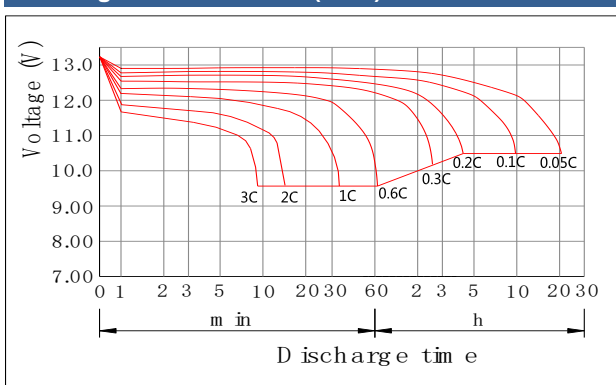
## The Relationship for Charging Voltage and Temperature



## Charging Characteristics (25°C)



## Discharge Characteristics (25°C)



## Constant Current Discharge Characteristics (Ampere / Battery, 25°C)

FV / TIME	5min	10min	15min	20min	30min	45min	1h	2h	3h	4h	5h	6h	8h	10h	20h
10.98V	110,58	77,60	64,02	50,93	37,83	29,59	25,71	14,36	10,57	8,40	7,08	6,08	4,84	4,37	2,29
10.80V	114,00	80,00	66,00	52,50	39,00	30,50	26,50	14,80	10,90	8,66	7,30	6,27	4,99	4,50	2,36
10.50V	118,00	85,00	69,00	54,50	39,90	31,20	26,90	15,10	11,10	8,78	7,38	6,34	5,04	4,51	2,37
10.20V	134,00	90,00	73,00	58,40	43,90	31,90	27,20	15,30	11,30	8,94	7,52	6,53	5,29	4,53	2,38
9.90V	136,00	95,00	74,30	59,90	45,50	34,40	27,60	15,60	11,60	9,14	7,66	6,63	5,34	4,54	2,38
9.60V	149,00	100,00	77,80	61,80	45,70	35,00	28,00	15,90	11,80	9,30	7,80	6,73	5,39	4,58	2,40

## Constant Power Discharge Characteristics (Watt / Battery, 25°C)

FV / TIME	5min	10min	15min	20min	30min	45min	1h	2h	3h	4h	5h	6h	8h	10h	20h
10.98V	1181,46	890,46	733,32	599,46	465,60	366,66	304,39	172,27	128,04	99,52	82,64	71,00	56,63	47,96	25,90
10.80V	1218,00	918,00	756,00	618,00	480,00	378,00	313,80	177,60	132,00	102,60	85,20	73,20	58,38	49,44	26,70
10.50V	1272,00	936,00	762,00	624,00	490,80	384,60	318,60	180,00	133,80	104,40	87,00	75,00	59,76	50,64	26,88
10.20V	1392,00	996,00	810,00	654,00	502,80	391,80	324,00	182,40	135,00	105,60	88,20	76,20	60,60	51,78	27,06
9.90V	1476,00	1044,00	840,00	678,00	521,40	405,60	328,80	184,80	136,80	106,80	88,80	76,80	61,80	52,86	27,30
9.60V	1578,00	1122,00	882,00	738,00	591,60	447,60	355,20	199,20	147,00	114,60	94,80	81,00	64,20	54,12	27,96