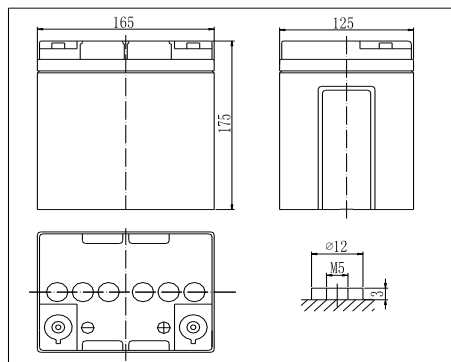


RPower OGiV12280L (12V 28Ah AGM Battery)

Floating Life at 20°C designed for up to 12 years

EAN: 4260123680046

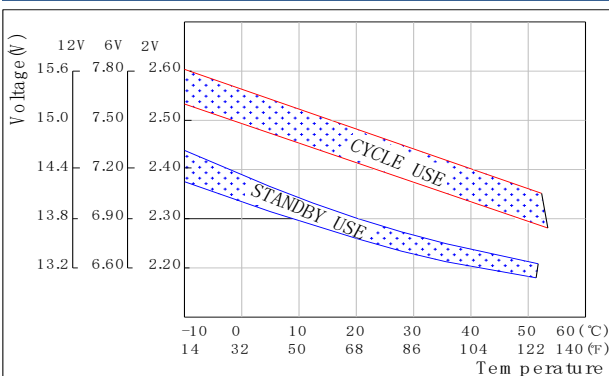
Dimensions



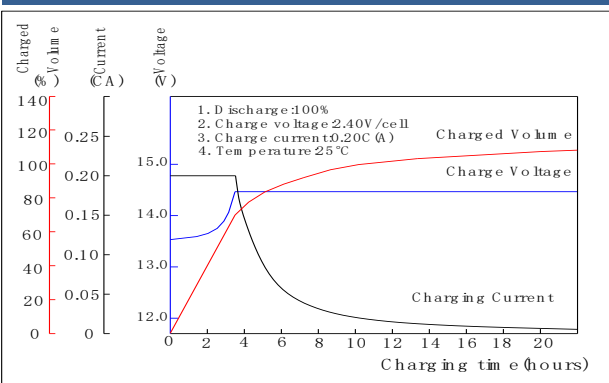
Specifications

Nominal Voltage		12V
Capacity (10hr@25°C@1.80V/C)		28Ah
Dimensions (±2mm)	Length	165mm (6.50inch)
	Width	125mm (4.92inch)
	Height	175mm (6.89inch)
	Total Height	175mm (6.89inch)
Approx. Weight		9.10kg (20.06lbs)
Maximum charging current		8.40A
Maximum discharge current		420A (5sec.)
Internal resistance		Approx. 12mΩ
Capacity affected by temperature (20hr)	40°C	103%
	25°C	100%
	0°C	86%
	-15°C	65%
Self-discharge (25°C)	3 month	Remaining Capacity: 91%
	6 month	Remaining Capacity: 82%
	12 month	Remaining Capacity: 65%
Nominal operating temperature		25°C ±3°C (77°F±5°F)
Operating temperature range		-20°C~55°C (-4°F~131°F)
Float charging voltage (25°C)		13.65 to 13.80V
Cyclic charging voltage (25°C)		14.40 to 15.00V
Terminal material		Copper

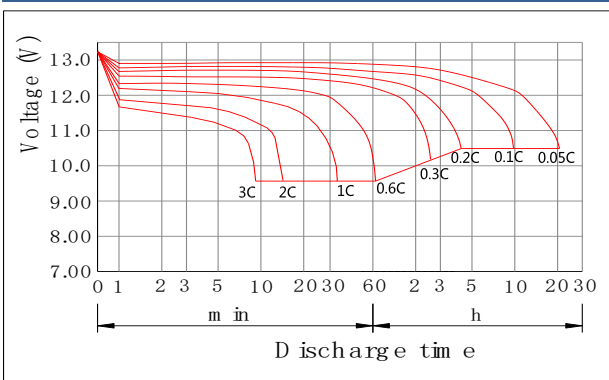
The Relationship for Charging Voltage and Temperature



Charging Characteristics (25°C)



Discharge Characteristics (25°C)



Constant Current Discharge Characteristics (Ampere / Battery, 25°C)

FV / TIME	5min	10min	15min	20min	30min	45min	1h	2h	3h	4h	5h	6h	8h	10h	20h
10.98V	55,50	41,10	33,30	28,00	22,90	17,20	14,10	8,88	6,98	5,64	4,57	4,01	3,19	2,72	1,48
10.80V	63,60	46,10	36,40	30,40	24,80	18,50	14,90	9,27	7,24	5,82	4,73	4,15	3,28	2,80	1,48
10.50V	71,70	50,70	39,80	32,70	25,70	19,20	15,60	9,61	7,37	5,96	4,86	4,26	3,34	2,83	1,50
10.20V	78,90	55,30	42,50	34,30	26,80	19,90	16,10	9,99	7,58	6,11	4,98	4,35	3,39	2,86	1,53
9.90V	87,00	59,60	45,20	36,50	28,20	20,40	16,60	10,30	7,90	6,32	5,12	4,45	3,44	2,91	1,55
9.60V	96,00	64,80	48,30	38,90	29,80	21,30	17,20	10,60	8,14	6,52	5,29	4,54	3,47	2,95	1,55

Constant Power Discharge Characteristics (Watt / Battery, 25°C)

FV / TIME	5min	10min	15min	20min	30min	45min	1h	2h	3h	4h	5h	6h	8h	10h	20h
10.98V	616,80	462,00	376,80	320,40	264,60	201,00	165,60	105,00	82,80	67,20	54,60	48,00	38,40	32,90	17,90
10.80V	703,20	515,40	409,80	345,00	283,80	214,80	174,60	109,20	85,80	69,00	56,40	49,60	39,50	33,80	17,90
10.50V	776,40	557,40	442,20	367,20	292,20	221,40	181,80	112,80	87,00	70,80	57,70	50,80	40,10	34,10	18,10
10.20V	831,60	594,00	465,60	383,40	303,00	229,20	187,20	117,00	89,40	72,00	59,00	51,80	40,60	34,40	18,40
9.90V	904,20	634,80	491,40	404,40	316,80	232,80	192,00	119,40	92,40	74,40	60,60	52,70	41,10	35,00	18,60
9.60V	975,00	673,80	517,20	426,00	332,40	241,20	198,00	123,00	94,80	76,20	62,40	53,80	41,50	35,30	18,70