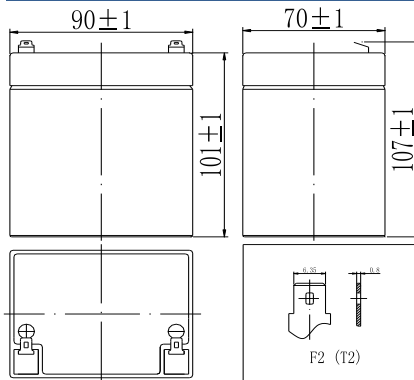


RPower GiV1250HP (12V 5Ah AGM Battery)

Floating Life at 20°C designed for up to 5 years

EAN: 4260349823487

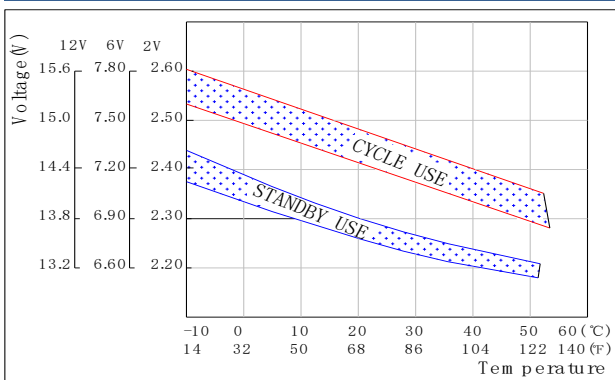
Dimensions



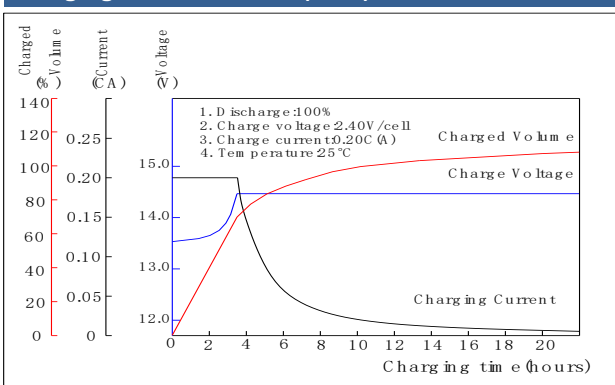
Specifications

Nominal Voltage		12V
Capacity (20hr@25°C@1.8V/C)		5Ah
Dimensions (±2mm)	Length	90mm (3.54inch)
	Width	70mm (2.76inch)
	Height	101mm (3.98inch)
	Total Height	107mm (4.21inch)
Approx. Weight		1.74kg (3.84lbs)
Maximum charging current		2A
Maximum discharge current		75A (5sec.)
Internal resistance		Approx. 35mΩ
Capacity affected by temperature (20hr)	40°C	102%
	25°C	100%
	0°C	85%
	-15°C	65%
Self-discharge (25°C)	3 month	Remaining Capacity: 91%
	6 month	Remaining Capacity: 82%
	12 month	Remaining Capacity: 65%
Nominal operating temperature		25°C ±3°C (77°F±5°F)
Operating temperature range		-20°C~50°C (-4°F~122°F)
Float charging voltage (25°C)		13.65 to 13.80V
Cyclic charging voltage (25°C)		14.40 to 15.00V
Terminal material		Copper

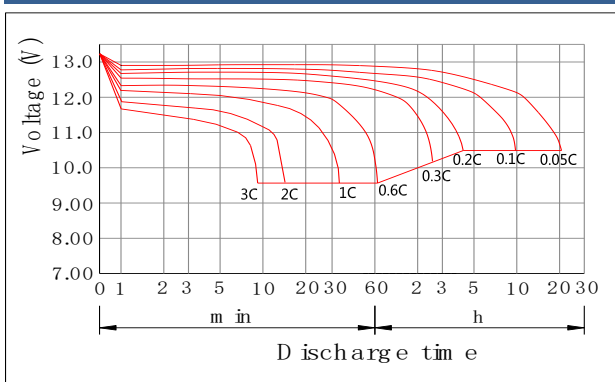
The Relationship for Charging Voltage and Temperature



Charging Characteristics (25°C)



Discharge Characteristics (25°C)



Constant Current Discharge Characteristics (Ampere / Battery, 25°C)

FV / TIME	5min	10min	15min	20min	30min	45min	1h	2h	3h	4h	5h	6h	8h	10h	20h
10.98V	19,47	12,89	9,69	7,52	5,58	4,26	3,40	1,72	1,28	1,04	0,87	0,65	0,53	0,46	0,23
10.80V	20,71	13,68	10,26	7,95	5,89	4,47	3,57	1,80	1,33	1,08	0,90	0,67	0,54	0,47	0,24
10.50V	21,95	14,35	10,83	8,22	6,09	4,57	3,66	1,85	1,37	1,09	0,91	0,68	0,55	0,47	0,24
10.20V	23,09	14,92	11,31	8,49	6,29	4,67	3,73	1,90	1,41	1,11	0,92	0,69	0,56	0,48	0,25
9.90V	24,13	15,58	11,88	8,73	6,47	4,77	3,82	1,94	1,43	1,12	0,93	0,70	0,57	0,48	0,25
9.60V	25,18	16,15	12,35	8,98	6,65	4,87	3,90	1,99	1,47	1,15	0,96	0,72	0,58	0,49	0,26

Constant Power Discharge Characteristics (Watt / Battery, 25°C)

FV / TIME	5min	10min	15min	20min	30min	45min	1h	2h	3h	4h	5h	6h	8h	10h	20h
10.98V	213,25	154,64	110,31	85,75	64,30	48,92	39,11	21,91	15,31	12,35	10,34	7,52	6,28	5,31	2,68
10.80V	226,86	164,16	116,85	90,65	67,83	51,30	41,04	22,91	15,96	12,87	10,72	7,75	6,44	5,42	2,74
10.50V	241,11	168,15	121,41	93,72	70,11	52,73	42,18	23,48	16,30	13,00	10,89	7,92	6,56	5,53	2,82
10.20V	255,36	171,00	125,40	96,79	71,82	54,15	43,32	24,00	16,70	13,14	11,12	8,09	6,66	5,64	2,91
9.90V	268,47	174,42	129,39	99,57	74,10	55,58	44,46	24,51	17,04	13,27	11,29	8,35	6,79	5,76	2,96
9.60V	282,15	177,84	133,95	102,34	75,81	57,00	45,60	25,08	17,39	13,68	11,46	8,51	6,93	5,87	3,05